

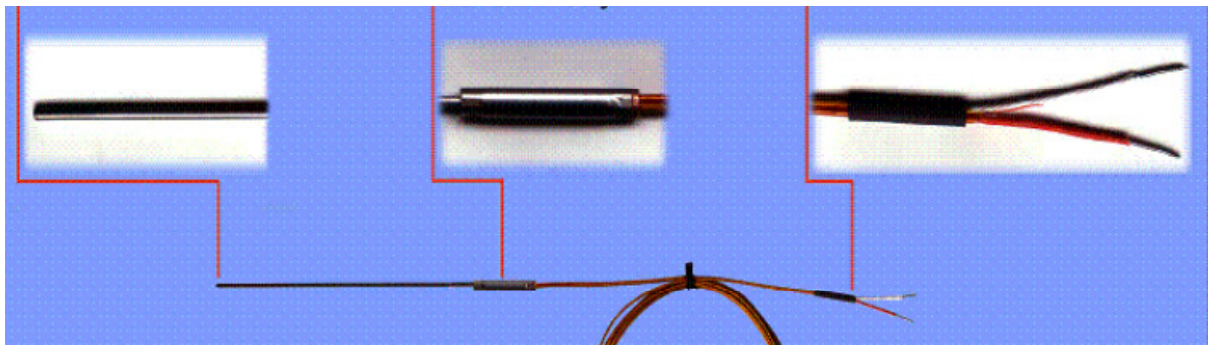


Mold Technology Ltd
 PO Box 34-785
 Birkenhead
 Auckland 0746
 New Zealand

Plastic Industry Thermocouples

Hot Runner Nozzle Thermocouples

Moldtech Hot Runner Nozzle thermocouples are manufactured to the highest standards from mineral insulated stainless steel sheathed cable with Kapton™ insulated leads and are grounded junction. The transition point for all our Hot Runner Nozzle Thermocouples are stainless steel resin insulated for the highest protection against moisture.



Our Hot Runner Nozzle Thermocouples are available in types “K” & “J” calibration and are stocked in the following sizes:

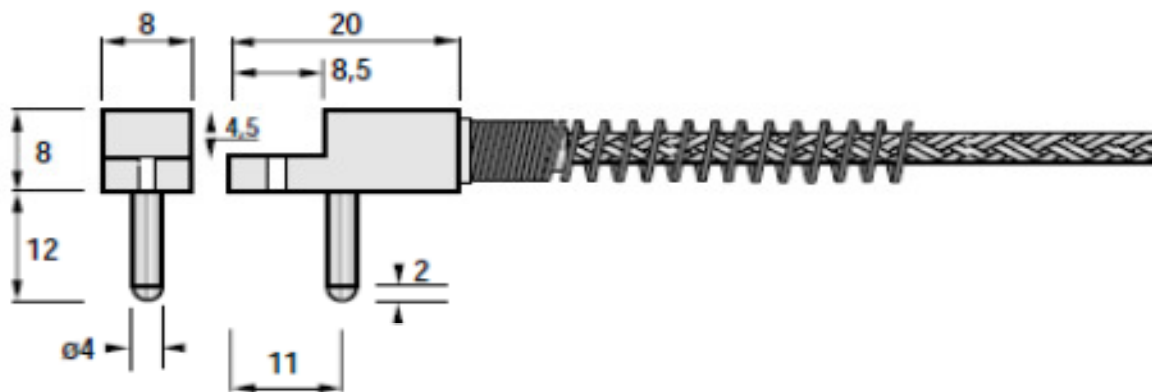
| Type J | Type K |
|---------------------------------|---------------------------------|
| 1 x 60 x 2000mm Kapton™ lead | 1 x 100 x 2000mm Kapton™ Lead |
| 1 x 100 x 2000mm Kapton™ Lead | 1 x 150 x 2000mm Kapton™ Lead |
| 1 x 150 x 2000mm Kapton™ Lead | 1 x 200 x 2000mm Kapton™ Lead |
| 1 x 200 x 2000mm Kapton™ Lead | 1.5 x 200 x 2000mm Kapton™ Lead |
| 1.5 x 60 x 2000mm Kapton™ lead | |
| 1.5 x 100 x 2000mm Kapton™ Lead | |
| 1.5 x 150 x 2000mm Kapton™ Lead | |

Manifold Thermocouples

Moldtech model TC-J-4-MAM2M Manifold Thermocouples are made from Nickel Plated Brass and have an AISI304 stainless steel braid over the conductors to protect the leads from abrasion and damage. They are supplied ex stock in type “J” only and have 2000mm connection leads.



Tip Dimensions



In addition to hot runner nozzle & manifold thermocouples Mold Technology stocks type J & Type K universal thermocouples for barrel applications. We are able to supply most any thermocouple and Rtd's (resistance temperature devices) that customers may have in use in their plant.

We are able to offer customers advice on temperature measurement through our association with our sister company, who have >25 years industrial application experience.